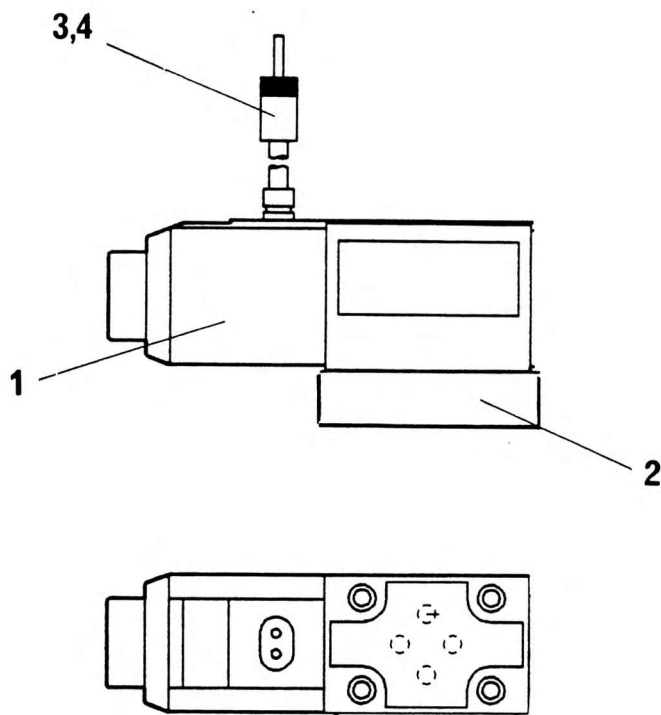


VALVE DIRECTIONAL CONTROL



NO.	PART NO	QTY.	DESCRIPTION	NO.	PART NO	QTY.	DESCRIPTION
-	7-926-990550	1	Complete Assembly				
1	9-926-107414	1	Seal Kit				
2	9-926-108944	1	Solenoid Sub Assy				
3	7-364-001682	1	Packard Connector				
4	7-892-000255	2	Cable Seal				

* Note Solenoid Sub Assembly fitted with Diode and Packard Connector.